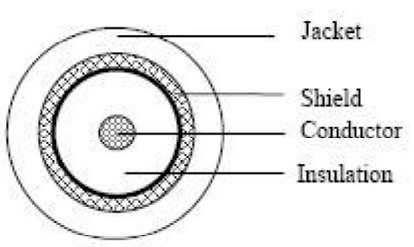
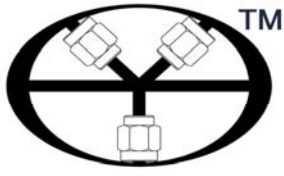


LLC 100 cable

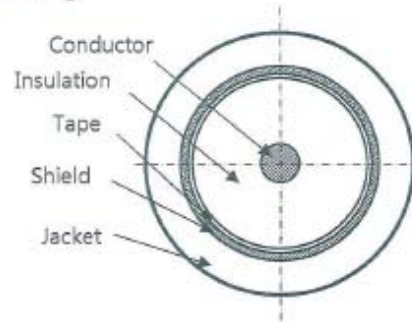
TECHNICAL SPECIFICATION								
CABLE TYPE		RF-100 COAXIAL CABLE						
STRUCTURE								
Conductor	Composition(No./mm)	1/0.46mm						
	Material	Copper Coated Steel Wire						
	Outside Diameter (mm)	0.46±0.03mm						
Insulation	Material	Solid Polyethylene						
	Thickness (mm)	0.53mm						
	Nom. Diameter(mm)	1.52 ± 0.1mm						
Shield	Material	(1) Bonded Aluminum Foil	(2) Tinned Copper Wire					
	Construction	0.038mm	16x5/0.10mm					
	Coverage	95%						
	Diameter(mm)	0.10±0.008mm						
Jacket	Material	LEAD FREE PVC						
	Diameter(mm)	2.79 ± 0.10mm						
	Color	Black						
Printing	LOW LOSS 100 SERIES 50 OHMS							
ELECTRICAL CHARACTERISTIC								
Impedance	Ω	50 ± 3						
Insulation Resistance	$M\Omega / km$	1000 ↑						
Capacitance	pF/M	101.1 ± 3						
Attenuation	Frequency(MHz)	30	150	450	900	1500	1800	2500
	dB/100M	12.9	29.4	51.9	74.9	98.7	109.0	130.6
								
DRWN.	Vivien Cheng	DRWN. No.:						
CHKD.	C.H. Liu	4RF10008001001						
APPD.	Vincent Shen	Date: FEB. 01, 2005						



LLC200A Coaxial cable 100M/ROLL LLC200A



Drawing



SPECIFICATIONS:

Construction

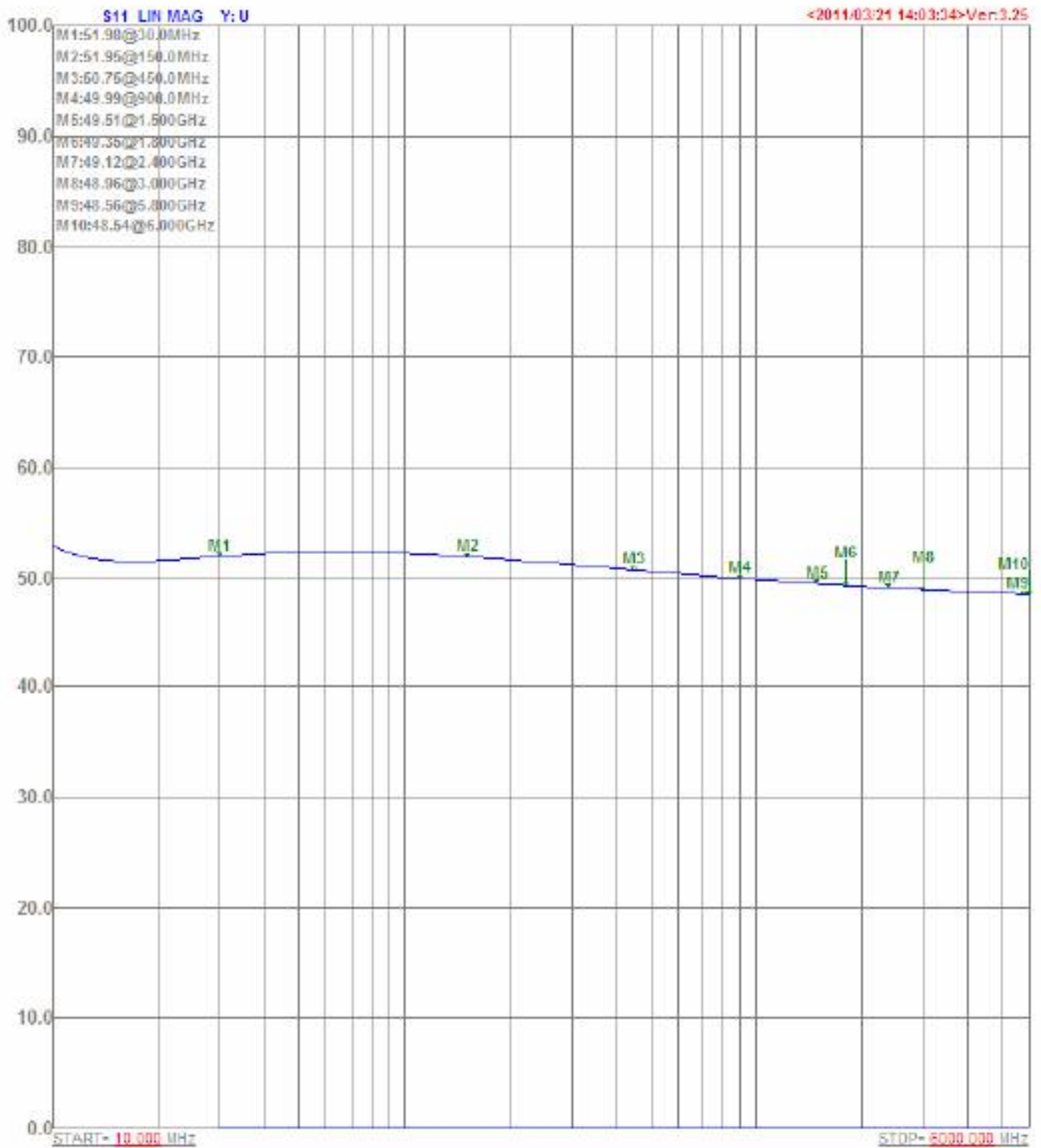
Item		Unit	Coaxial Cable	
Conductor	Composition	No.	1	
	Diameter	mm	1.12±0.03	
	Material	/	Bare copper wire	
Insulation	Diameter	mm	2.95±0.10	
	Material	/	GAS-FPE	
	Color	/	Nature	
Shield	Tape	Material	Bonded Aluminum Foil	
	Braid	Composition	/	16x4
		Diameter	mm	0.1±0.008
		Material	/	Tinned Copper
	Coverage	%	59	
Jacket	Diameter	mm	4.95±0.1	
	Material	/	RoHS PVC	
	Color	/	Black	

Electrical Characteristic

Item	Unit	Standard			
Conductor resistance	Ω/km	17.9 ↓			
Insulation resistance	MΩ/km	1000 ↑			
Withstanding Voltage	V/ Min	1000			
Normal Impedance	Ω	50±3			
Normal Capacitance	pF/m	80.4±3			
Attenuation	MHZ	30	150	450	900
	dB/100M	6.5	12.5	22.1	32.0
	MH7	1500	1800	2400	3000
	dB/100M	42.5	46.5	54.4	61.5

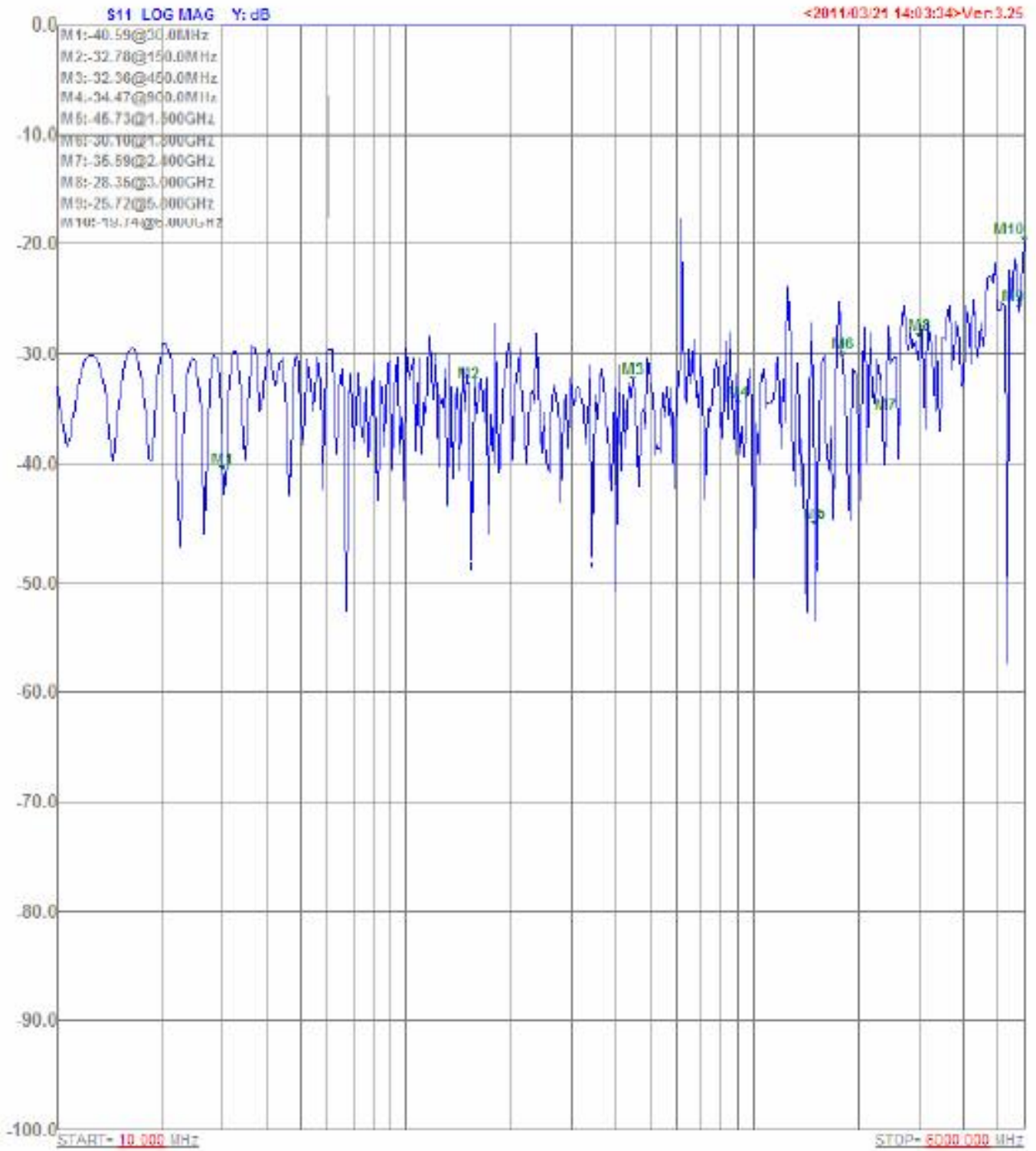
Coaxial Impedance (ML Method) Graphic result

Coaxial Impedance (ML Method) P1 -(PASS)



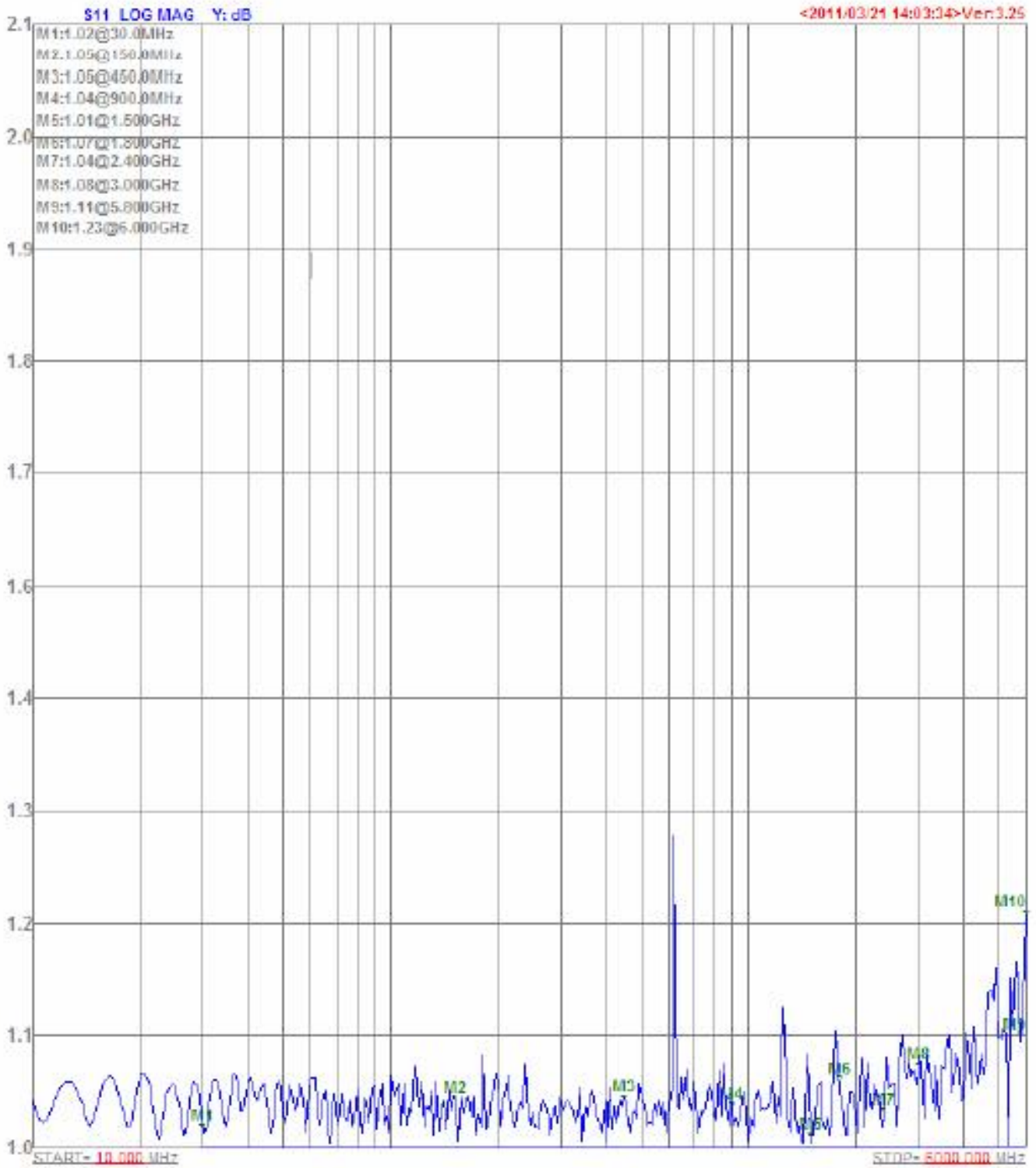
Coaxial Return Loss Graphic result

Coaxial Return Loss P1 -(PASS)



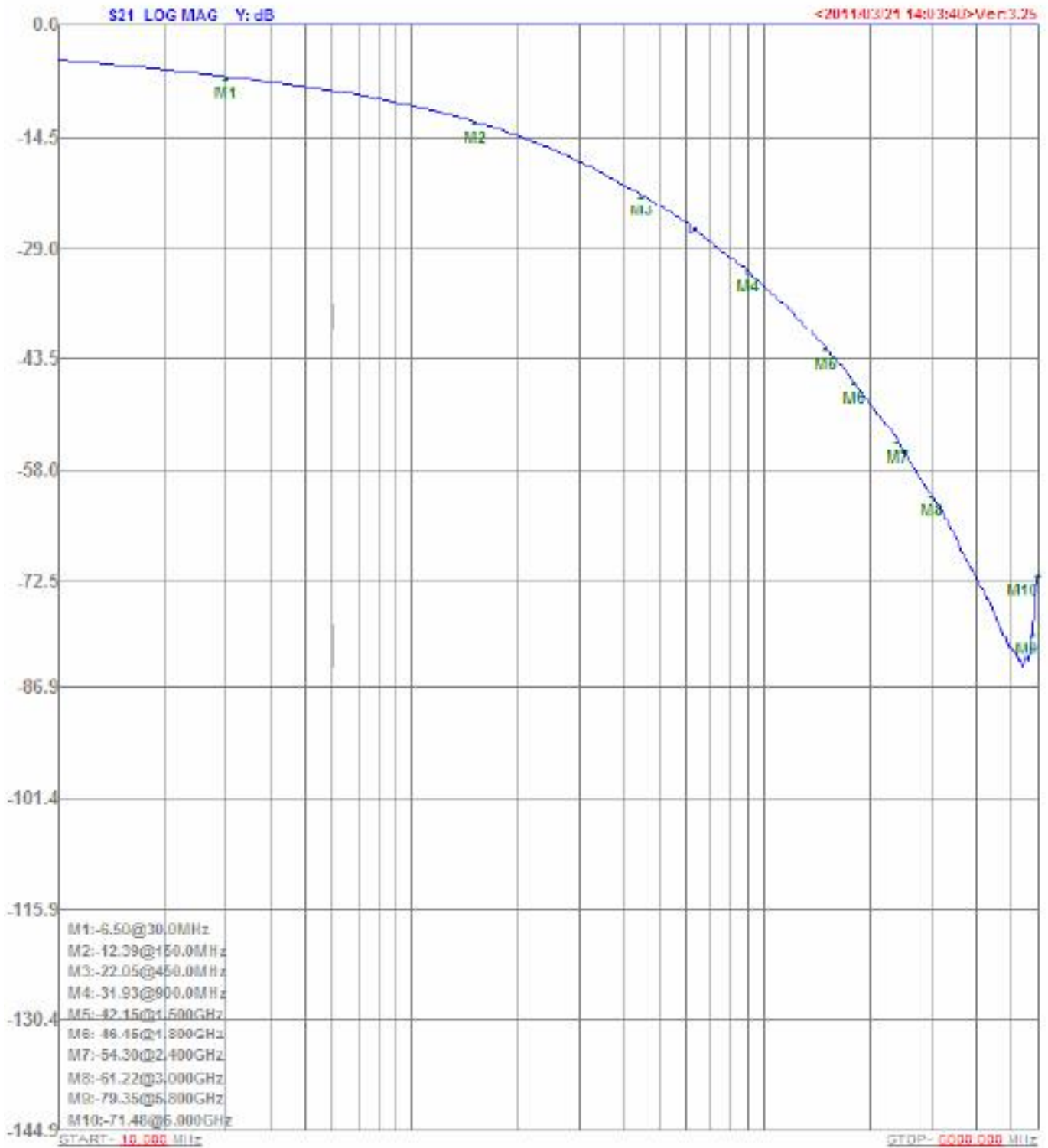
Coaxial SVR P1 (PASS)

<2011/03/21 14:03:34>Ver:3.25



Coaxial Insertion Loss Graphic result

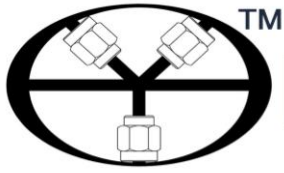
Coaxial Insertion Loss P1 -(PASS)



Hwayaotek

No.6, Ln. 48, Nanxing Rd., Yongkang Dist.,
Tainan City 710, Taiwan (R.O.C.)

TEL: +886-6-2712809
FAX: +886-6-2712870
<http://www.hwayaotek.com.tw>
Email: sales@hwayaotek.com.tw



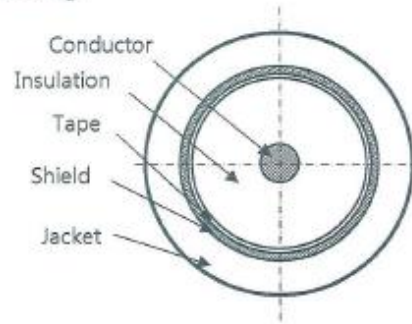
Hwa Yao Technologies Co., Ltd



LLC400A Coaxial cable 100M/ROLL
LLC400A



Drawing



SPECIFICATIONS:

Construction

Item	Unit	Coaxial Cable
Conductor	Composition	No. 1
	Diameter	mm 2.74±0.03
	Material	/ Copper Clad Aluminum
Insulation	Diameter	mm 7.24±0.10
	Material	/ GAS-FPE
	Color	/ Nature
Shield	Tape Material	/ Double Aluminum Foil
	Composition	/ 24x6
	Braid Diameter	mm 0.12±0.008
	Braid Material	/ Tinned Copper
	Coverage	% 67
Jacket	Diameter	mm 10.3±0.2
	Material	/ RoHS PVC
	Color	/ Black

Electrical Characteristic

Item	Unit	Standard			
Conductor resistance	Ω/km	4.6 ↓			
Insulation resistance	MΩ/km	1000 ↑			
Withstanding Voltage	V/ Min	1000			
Normal Impedance	Ω	50±3			
Normal Capacitance	pF/m	80±3			
Attenuation	MHZ	50	100	400	700
	dB/100ft	1.08	1.41	2.92	3.94
	MHZ	1575	3000	5800	6000
	dB/100ft	6.1	8.56	12.26	12.53

Printing : LLC400 LOW LOSS 50 OHM COAXIAL CABLE HYT8D

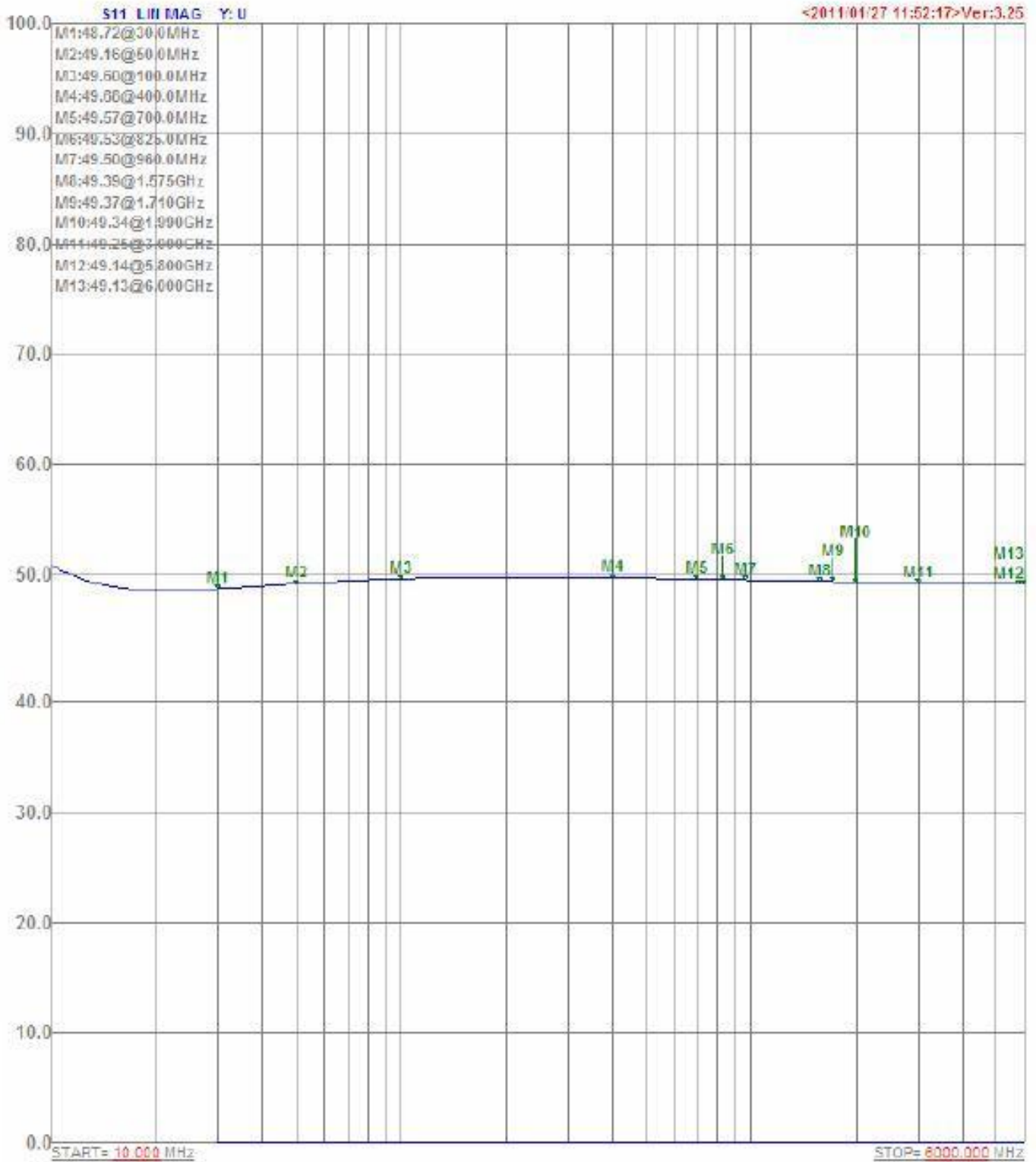
Hwayaotek

NO.6 ,Ln.48, Nansing Rd., Yong Kang City,
Tainan County 710, Taiwan, R.O.C

TEL: +886-6-2712809
FAX: +886-6-2712870
<http://www.hwayaotek.com.tw>
Email:sales@hwayaotek.com.tw

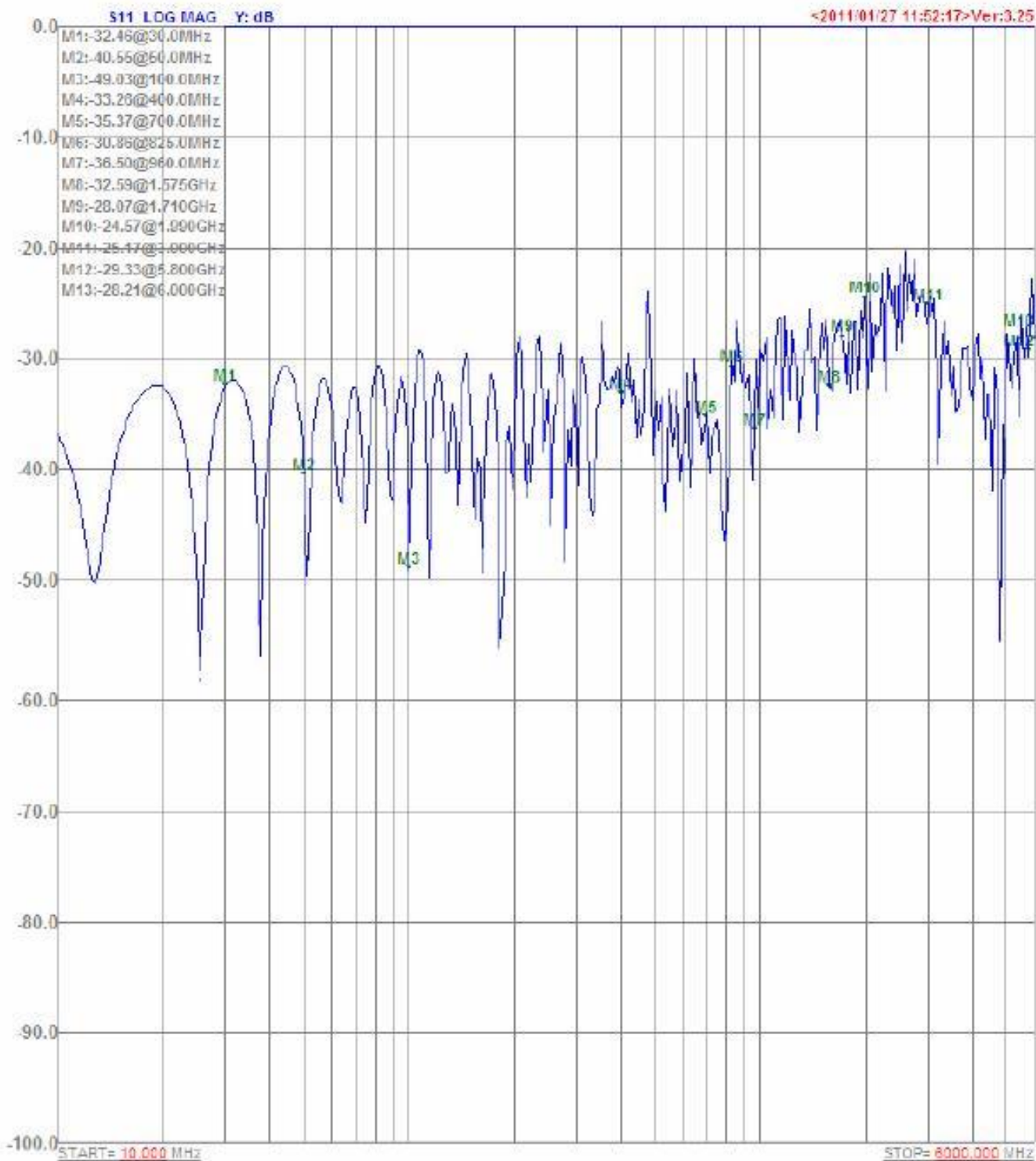
Coaxial Impedance (ML Method) Graphic result

Coaxial Impedance (ML Method) P1 -(PASS)



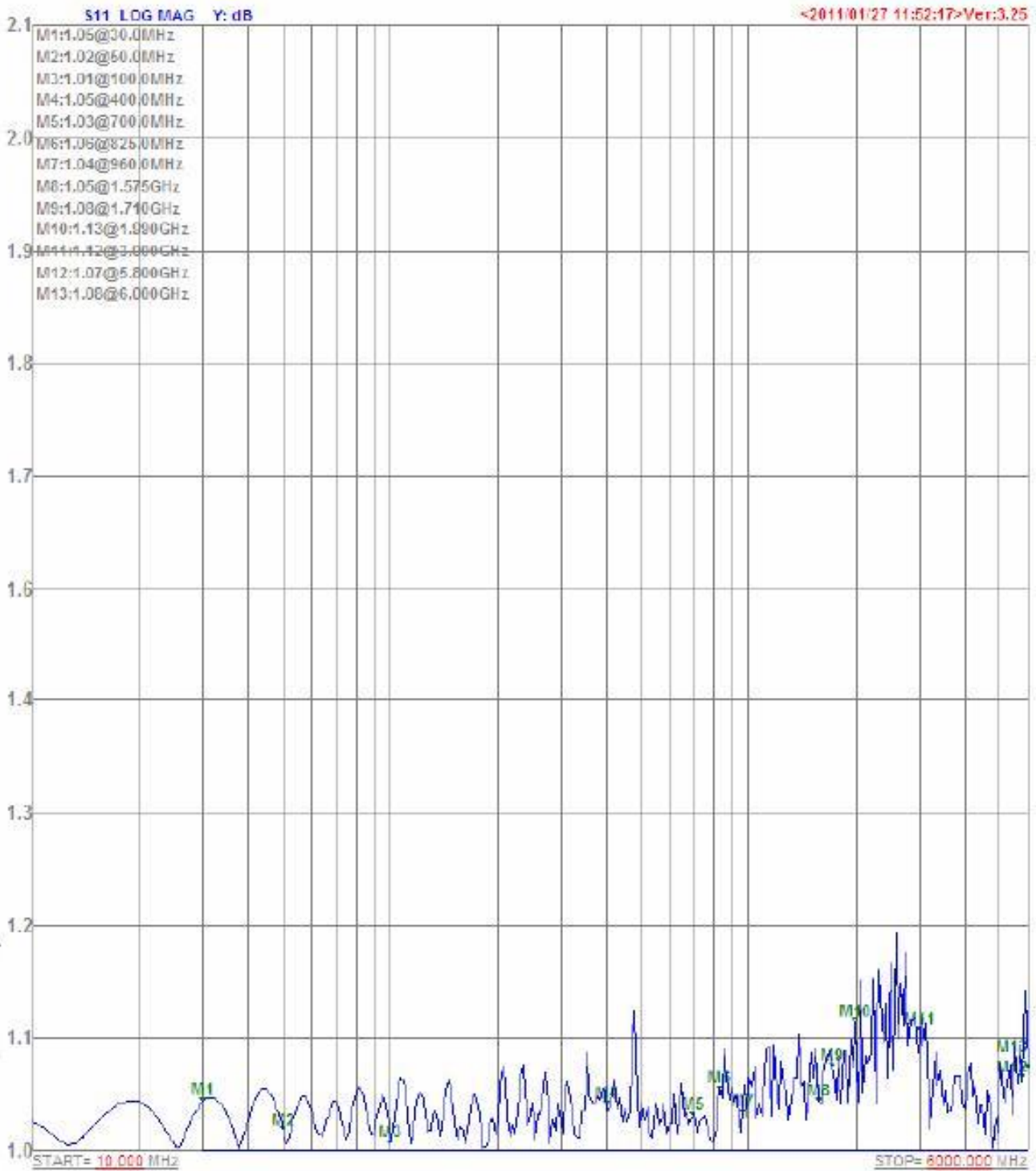
Coaxial Return Loss Graphic result

Coaxial Return Loss P1 -(PASS)



Coaxial SWR Graphic result

Coaxial SWR P1 (PASS)



Hwayaotek

NO.6 ,Ln.48, Nansing Rd., Yong Kang City,
Tainan County 710, Taiwan, R.O.C

TEL: +886-6-2712809
FAX: +886-6-2712870
<http://www.hwayaotek.com.tw>
Email:sales@hwayaotek.com.tw

Coaxial Insertion Loss Graphic result

Coaxial Insertion Loss P1 (PASS)

